

## TABLE OF STC FEES

The official WORLD SKATE currency is the US \$. So, all fees may be paid in this currency at the daily change rate of the Swiss Franc.

Organising fee for intercontinental competitions of national teams .....	500 US \$
Organising fee for intercontinental competitions of club teams .....	200 US \$

### ENTRY FEES FOR WORLD CHAMPIONSHIPS

At the World Championships, each Federation must pay a registration fee as nation, and a registration fee for each skater entered on track and another registration fee for each skater entered on the road. Each Federation can enter a maximum of 8 male skaters and 8 female skaters.

The payment of such fees and passport control must be scheduled in the morning of the preparatory meeting day.

For each participating Federation .....	400 US \$
For each senior skater entered .....	100 US \$
For each junior skater entered .....	50 US \$

### CLAIM FEE

Claim fee to STC .....	300 US \$
------------------------	-----------

### FEES FOR INTERNATIONAL SPEED JUDGES

first entry fee for international judges (badge included) .....	100 US \$
Affiliation fee (annual renewal) .....	50 US \$



WORLD  
SKATE

## SPEED TECHNICAL COMMISSION

### MODIFICATION OF INSCRIPTION FORM \ FORMULARIO DE MODIFICACION DE INSCRIPCION

DATA .....

TIME .....

FECHA .....

HORA .....

#### FEDERATION \ FEDERACION

TRACK \ PISTA

ROAD \ RUTA

JUNIOR LADIES \ JUNIOR DAMAS

JUNIOR MEN \ JUNIOR VARONES

SENIOR LADIES \ SENIOR DAMAS

SENIOR MEN \ SENIOR VARONES

#### RACE \ CARRERA

	NAME \ NOMBRE	N°
SKATER 1		

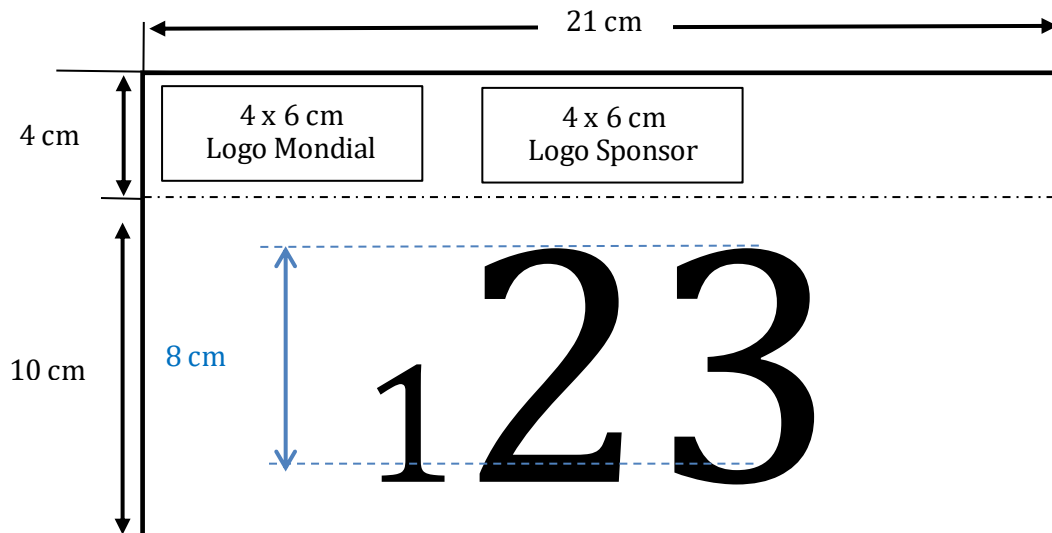
	NAME \ NOMBRE	N°
SKATER 2		

-----  
**Delegate Signature**  
**Firma del Delegado**

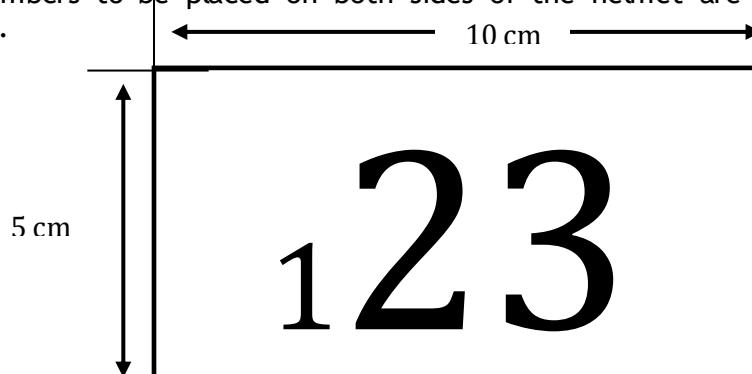
1. The Federation must fill the STC official form before paying the fees. It will preregister race by race the name of the skater participating at the Speed Skating WC.
2. This preregistration can be modified by the Federation's delegate. Only preregistered skater can be changed, supplementary registration cannot be done. Modification must be done at the secretariat of the jury the day before the concerned race. The time limit to give this modification is within twenty (20) minutes of the end of races of the day. The modification must be done with the STC official folder. If no modification is done, preregistration will be considered as official inscription.
3. If the STC accepts late inscription during the World Championship, the skater is not allowed to race before the following day of his inscription.
4. When a skater registered is suspended, he cannot be replaced by a teammate.

## Numbers

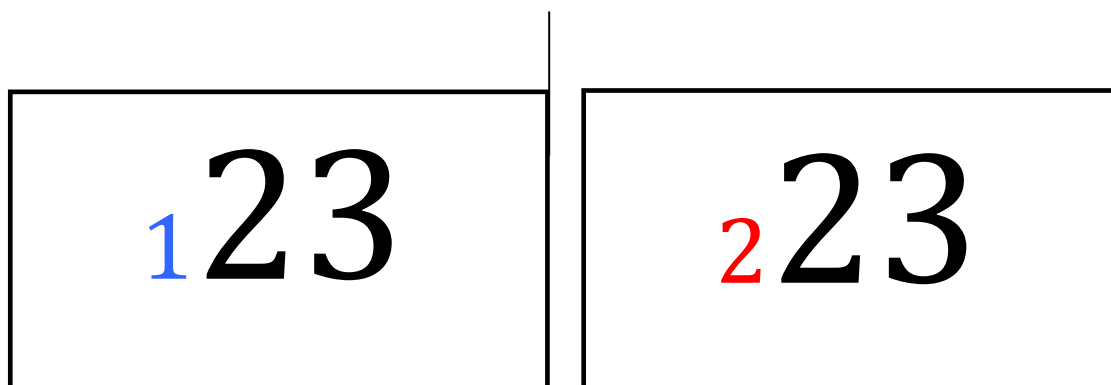
Skaters are identified by means of three (3) numbers. They are applied on both hips and on the back. If a fourth number is supplied, it is placed on the helmet. Numbers are to be clearly visible.



Two more numbers to be placed on both sides of the helmet are compulsory at the World Championship.



If different series of numbers are used during the World Championship,



AFG	Afghanistan	CRO	Croatie
ALB	Albanie	CUB	Cuba
ALG	Algérie	CYP	Chypre
AND	Andorre	CZE	République tchèque
ANG	Angola	DEN	Danemark
ANT	Antigua-et-Barbuda	DJI	Djibouti
ARG	Argentine	DMA	Dominique
ARM	Arménie	DOM	République dominicaine
ARU	Aruba	ECU	Équateur
ASA	Samoa américaines	EGY	Égypte
AUS	Australie	ERI	Érythrée
AUT	Autriche	ESA	Salvador, El
AZE	Azerbaïdjan	ESP	Espagne
BAH	Bahamas	EST	Estonie
BAN	Bangladesh	ETH	Éthiopie
BAR	Barbade	FIJ	Fidji
BDI	Burundi	FIN	Finlande
BEL	Belgique	FRA	France
BEN	Béni	FSM	Micronésie
BER	Bermudes	GAB	Gabon
BHU	Bhoutan	GAM	Gambie
BIH	Bosnie-Herzégovine	GBR	Grande-Bretagne ( Royaume-Uni )
BIZ	Belize	GBS	Guinée-Bissau
BLR	Biélorussie	GEO	Géorgie
BOL	Bolivie	GEQ	Guinée équatoriale
BOT	Botswana	GER	Allemagne
BRA	Brésil	GHA	Ghana
BRN	Bahreïn	GRE	Grèce
BRU	Brunei	GRN	Grenade
BUL	Bulgarie	GUA	Guatemala
BUR	Burkina Faso	GUI	Guinée
CAF	République centrafricaine	GUM	Guam
CAM	Cambodge	GUY	Guyana
CAN	Canada	HAI	Haïti
CAY	Îles Caïmans	HKG	Hong Kong
CGO	République du Congo	HON	Honduras
CHA	Tchad	HUN	Hongrie
CHI	Chili	INA	Indonésie
CHN	Chine, République populaire de	IND	Inde
CIV	Côte d'Ivoire	IOA	Athlètes Indépendants
CMR	Cameroun	IRI	Iran
COD	République démocratique du Congo	IRL	Irlande
COK	Îles Cook	IRQ	Irak
COL	Colombie	ISL	Islande
COM	Comores	ISR	Israël
CPV	Cap-Vert	ISV	Îles Vierges des États-Unis
CRC	Costa Rica	ITA	Italie

IVB	Îles Vierges britanniques	NIG	Niger
JAM	Jamaïque	NOR	Norvège
JOR	Jordanie	NRU	Nauru
JPN	Japon	NZL	Nouvelle-Zélande
KAZ	Kazakhstan	OMA	Oman
KEN	Kenya	PAK	Pakistan
KGZ	Kirghizistan	PAN	Panama
KIR	Kiribati	PAR	Paraguay
KOR	Corée du Sud	PER	Pérou
KSA	Arabie saoudite	PHI	Philippines
KUW	Koweït	PLE	Palestine
LAO	Laos (RDP lao)	PLW	Palaos
LAT	Lettonie	PNG	Papouasie-Nouvelle-Guinée
LBA	Libye	POL	Pologne
LBR	Liberia	POR	Portugal
LCA	Sainte-Lucie	PRK	Corée du Nord (République populaire démocratique)
LES	Lesotho	PUR	Porto Rico
LIB	Liban	QAT	Qatar
LIE	Liechtenstein	ROU	Roumanie
LTU	Lituanie	RSA	Afrique du Sud
LUX	Luxembourg	RUS	Russie, Fédération de
MAD	Madagascar	RWA	Rwanda
MAR	Maroc	SAM	Samoa
MAS	Malaisie	SEN	Sénégal
MAW	Malawi	SEY	Seychelles
MDA	Moldavie	SIN	Singapour
MDV	Maldives	SKN	Saint-Christophe-et-Niévès (Saint-Kitts-et-Nevis)
MEX	Mexique	SLE	Sierra Leone
MGL	Mongolie	SLO	Slovénie
MHL	Marshall	SMR	Saint-Marin
MKD	Macédoine	SOL	Salomon
MLI	Mali	SOM	Somalie
MLT	Malte	SRB	Serbie
MNE	Monténégro	SRI	Sri Lanka
MON	Monaco	STP	Sao Tomé-et-Principe
MOZ	Mozambique	SUD	Soudan
MRI	Maurice	SUI	Suisse
MTN	Mauritanie	SUR	Suriname
MYA	Birmanie (Myanmar)	SVK	Slovaquie
NAM	Namibie	SWE	Suède
NCA	Nicaragua	SWZ	Swaziland
NED	Pays-Bas (Nederland)	SYR	Syrie (République arabe syrienne)
NEP	Népal	TAN	Tanzanie, République-Unie de
NGR	Nigeria	TGA	Tonga

THA	Thaïlande	UKR	Ukraine
TJK	Tadjikistan	URU	Uruguay
TKM	Turkménistan	USA	États-Unis
TLS	Timor oriental (Timor-Leste)	UZB	Ouzbékistan
TOG	Togo	VAN	Vanuatu
TPE	Taipei chinois	VEN	Venezuela
TRI	Trinité-et-Tobago	VIE	Viêt Nam
TUN	Tunisie	VIN	Saint-Vincent-et-les-Grenadines
TUR	Turquie	YEM	Yémen
TUV	Tuvalu	ZAM	Zambie
UAE	Émirats arabes unis	ZIM	Zimbabwe
UGA	Ouganda		

Source: INTERNATIONAL OLYMPIC COMMITTEE

**CLAIM PROCEDURE**

Competition: World Championship     Track     Road

Nation: .....

Delegate: .....

Race:.....

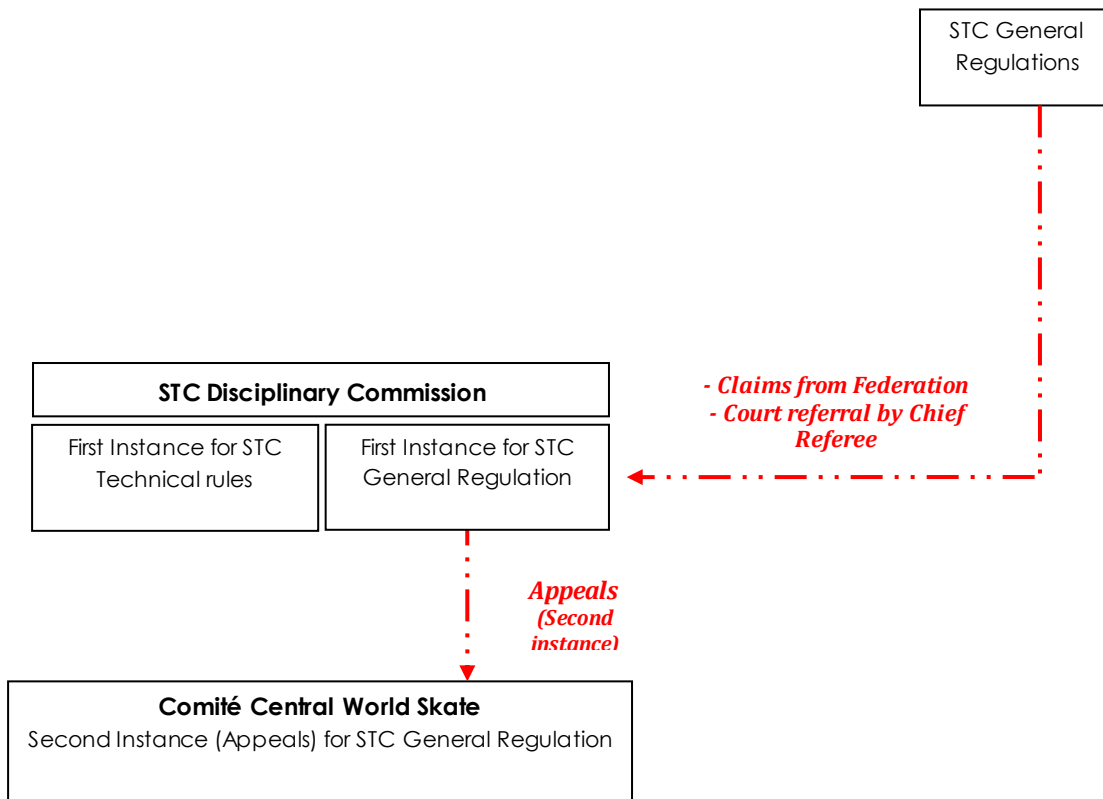
---

**Description**

Date and hour: .....  
Signature:

# Speed Technical Commission | General regulations ANNEX 4.1

## Disciplinary procedure





# Speed Technical Commission | General regulations ANNEX 5

DAY 1 TRACK	Time	Involved	Race	Round
	09:00	Junior Ladies and Men	500 m+D Sprint	Eight-finals
		Junior Ladies and Men	10.000 m Points/Elimination	Heats
		Senior Ladies and Men	15.000 m Elimination	Heats
		Junior Ladies and Men	500 m+D Sprint	Quarterfinals
		Senior Ladies and Men	1.000 m Sprint	Quarterfinals
	<b>BREAK</b>			
	17:00	Junior Ladies and Men	500 m+D Sprint	Semifinals
		Senior Ladies and Men	1.000 m Sprint	Semifinals
		Junior Ladies and Men	10.000 m Points/Elimination	Final
	Senior Ladies and Men	15.000 m Elimination	Final	
<b>AWARD CEREMONY</b>				
	Junior Ladies and Men	500 m+D Sprint	Final	
	Senior Ladies and Men	1.000 m Sprint	Final	

DAY 2 TRACK	Time	Involved	Race	Round
	09:00	Senior Ladies and Men	500 m+D Sprint	Eight-finals
		Junior Ladies and Men	5.000 m Elimination	Heats
		Senior Ladies and Men	10.000 m Points/Elimination	Heats
		Senior Ladies and Men	500 m+D Sprint	Quarterfinals
		Junior Ladies and Men	1.000 m Sprint	Quarterfinals
	<b>BREAK</b>			
	17:00	Junior Ladies and Men	1.000 m Sprint	Semifinals
		Senior Ladies and Men	500 m+D Sprint	Semifinals
		Junior Ladies and Men	5.000 m Elimination	Final
	Senior Ladies and Men	10.000 m Points/Elimination	Final	
<b>AWARD CEREMONY</b>				
	Junior Ladies and Men	1.000 m Sprint	Final	
	Senior Ladies and Men	500 m+D Sprint	Final	

DAY 3 TRACK	Time	Involved	Race	Round
	09:00	Junior Ladies and Men	3.000 m Relays	Heats
		Senior Ladies and Men	3.000 m Relays	Heats
	<b>BREAK</b>			
	17:00	Junior Ladies and Men	3.000 m Relays	Final
	Senior Ladies and Men	3.000 m Relays	Final	
<b>AWARD CEREMONY</b>				

<b>DAY 4</b>	<b>REST DAY</b>
--------------	-----------------

DAY 5 ROAD	Time	Involved	Race	Round
	09:00	Junior Ladies and Men	100 m Sprint	Heats
		Junior Ladies and Men	20.000 m Elimination	Heats
		Senior Ladies and Men	10.000 m Points	Heats
	<b>BREAK</b>			
	17:00	Junior Ladies and Men	20.000 m Elimination	Final
		Senior Ladies and Men	10.000 m Points	Final
	<b>AWARD CEREMONY</b>			
		Junior Ladies and Men	100 m Sprint	Final

DAY 6 ROAD	Time	Involved	Race	Round
	09:00	Senior Ladies and Men	100 m Sprint	Heats
		Junior Ladies and Men	10.000 m Points	Heats
		Senior Ladies and Men	20.000 m Elimination	Heats
	<b>BREAK</b>			
	17:00	Junior Ladies and Men	10.000 m Points	Final
		Senior Ladies and Men	20.000 m Elimination	Final
	<b>AWARD CEREMONY</b>			
		Senior Ladies and Men	100 m Sprint	Final

DAY 7 ROAD	Time	Involved	Race	Round
	09:00	Junior Ladies and Men	One Lap Sprint	Eight-finals
		Senior Ladies and Men	One Lap Sprint	Eight-finals
		Junior Ladies and Men	One Lap Sprint	Quarterfinals
		Senior Ladies and Men	One Lap Sprint	Quarterfinals
	<b>BREAK</b>			
	17:00	Junior Ladies and Men	One Lap Sprint	Semifinals
		Senior Ladies and Men	One Lap Sprint	Semifinals
		Junior Ladies and Men	One Lap Sprint	Final
		Senior Ladies and Men	One Lap Sprint	Final
	<b>AWARD CEREMONY</b>			

DAY 8 MARATHON	Time	Involved	Race	Round
	08:00	Ladies	42.195 m Marathon	Final
	10:00	Men	42.195 m Marathon	Final
11:30	<b>AWARD CEREMONY LADIES AND MEN - MARATHON</b>			